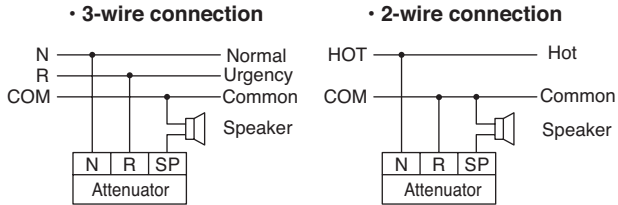


ATTENUATOR

AT-063P  
AT-303P  
AT-603P

A push-in terminal block (bridging terminal, 2-branch type) provides an easy cable connection.

1. WIRING DIAGRAMS



2. CONNECTIONS

Applicable cable	600 V Vinyl-insulated cable (IV or HIV) Solid copper wire : $\phi$ 0.8 – $\phi$ 1.2 mm Stranded copper wire (7-core) : 0.75 – 1.25 mm <sup>2</sup>
------------------	--

**Step 1.** Strip the cable sheath approx. 9 mm.  
Use a strip gauge near the terminal block.

**Step 2.** Insert the core wire fully into the specified pin terminal.

**Note**

To disconnect the wire, pull it out while holding down the push-button or inserting a standard driver into a rectangle hole located below the pin terminal.

3. INSTALLATION

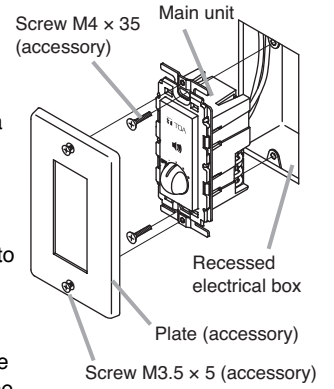
**Step 1.** Connect the speaker cable to the specified pin terminal.

**Step 2.** Mount the main unit in a recessed electrical box using the 2 supplied screws.

**Note**

It can also be mounted to a surface mount electrical box.

**Step 3.** Attach the supplied plate to the main unit using the 2 supplied screws.



4. SPECIFICATIONS

Model	AT-063P	AT-303P	AT-603P
Input Capacity	0.5 – 6 W	0.5 – 30 W	0.5 – 60 W
Attenuation	5 steps (0 dB, – 6 dB, –12 dB, –18 dB, OFF)		
Terminal	Push-in connection (bridging terminal, 2-branch type)		
Finish	Knob, panel, plate: ABS resin, milky white Main body: ABS resin, black		
Dimensions	45 (w) x 108 (h) x 55 (d) mm		
Weight	170 g (excluding plate)		235 g (excluding plate)
Accessories	Main unit mounting screw M4 x 35 . . . . . 2 Plate mounting screw M3.5 x 5 . . . . . 2 Plate . . . . . 1		

The design and specifications are subject to change without notice for improvement.

URL: <http://www.toa.jp/>